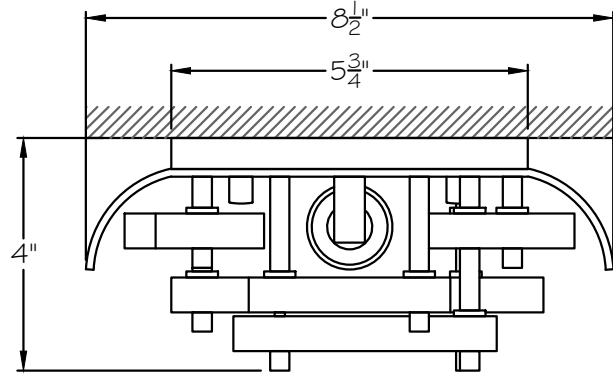
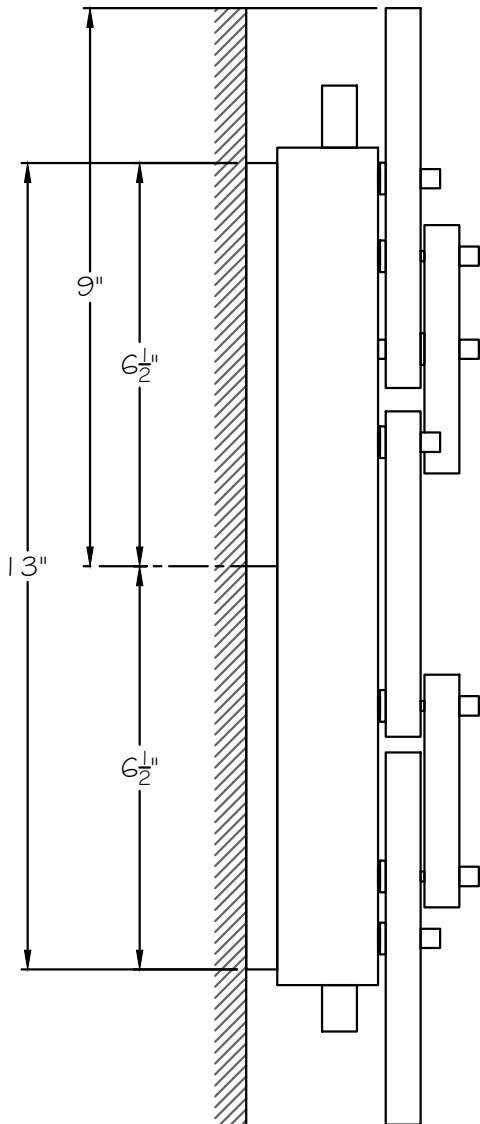


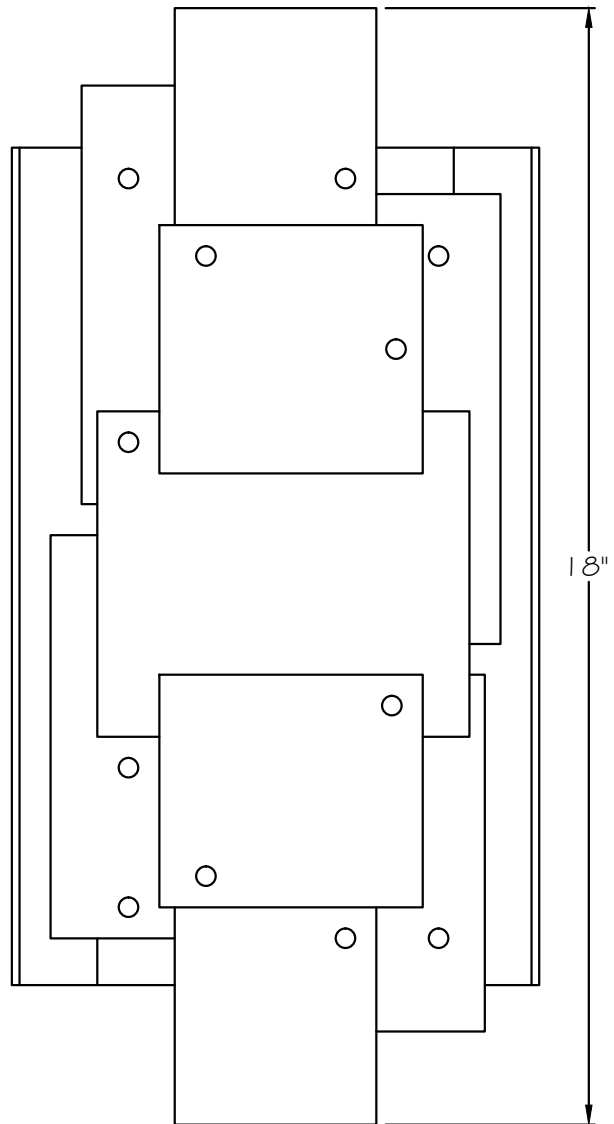
CUSTOMER REFERENCE DRAWING



TOP VIEW



SIDE VIEW



FRONT VIEW

STYLE CONFIGURATIONS:

-1ST SILVER

-2ST GOLD

FINE
ART
LAMPS®
EST. 1940

This drawing, specifications and the product depicted are the exclusive property of FINE ART LAMPS®. In compliance with US copyright and patent requirements, notice is hereby given that this document and the product depicted shall not be copied, altered or used in any manner without the expressed written consent of FINE ART LAMPS®.

www.fineartlamps.com
Tel:(305) 821-3850 Fax:(305) 821-1564

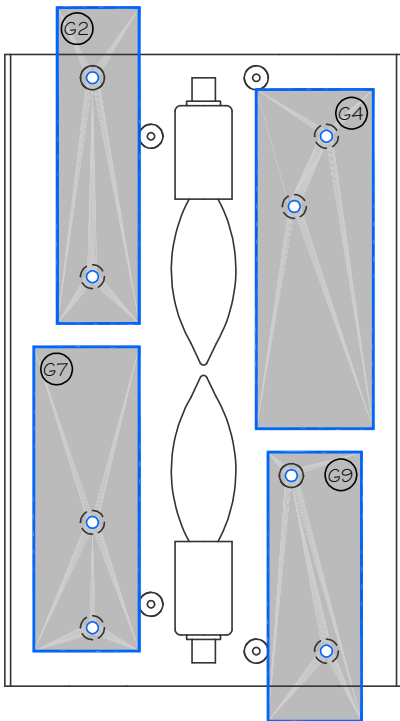
STYLE NUMBER:

910850

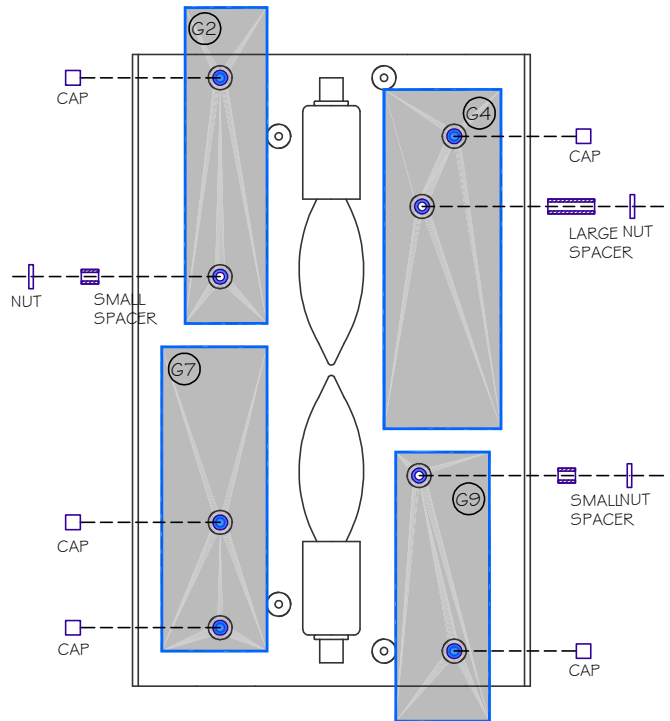
DATE:

9/30/19

GLASS INSTALLATION INSTRUCTION



STEP 1:
INSTALL FIRST LEVEL OF GLASS AS SHOWN



STEP 2:
-INSTALL CAPS, SPACERS AND NUTS OVER FIRST LEVEL OF GLASS AS SHOWN
-NUTS CAN BE TURNED FORWARD AND BACK IN ORDER TO ENSURE THAT CAPS ARE SECURELY TIGHTENED AND THAT GLASS IS IN THE CORRECT POSITION

FIRST LEVEL

STYLE(S) # 910850

**FINE
ART
LAMPS**
EST. 1940

This drawing, specifications and the product depicted are the exclusive property of FINE ART LAMPS®. In compliance with US copyright and patent requirements, notice is hereby given that this document and the product depicted shall not be copied, altered or used in any manner without the expressed written consent of FINE ART LAMPS®.

www.fineartlamps.com
Tel:(305) 821-3850 Fax:(305) 821-1564

INSTRUCTION #

00791396

SHEET

1 / 4